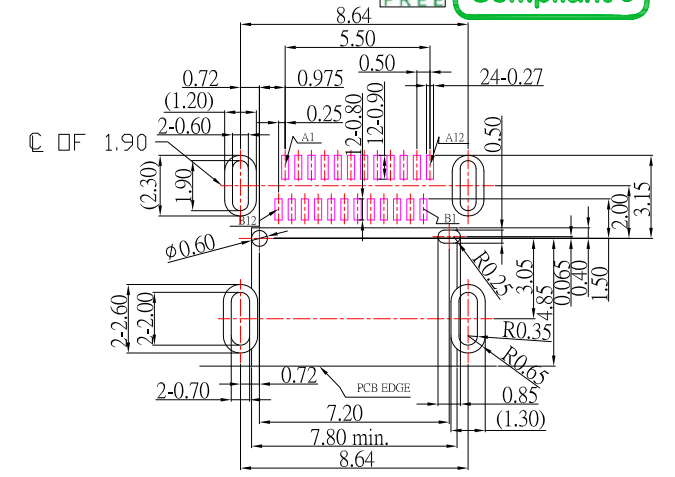
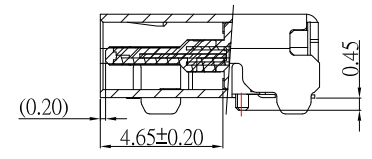
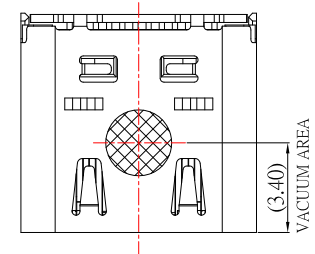




SBC-240S26B31xHF-S332

鍍層厚度：
 Blank : 1u"
 2 : 15u"
 3 : 30u"



P.C.B LAYOUT

SPECIFICATIONS

Electrical:

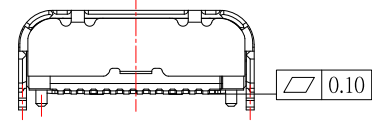
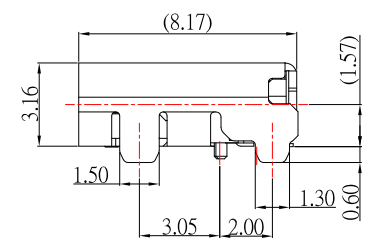
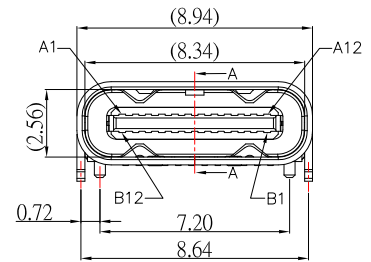
1. Rating: 5.0A
2. Contact Resistance: 40 mΩ Max
3. Insulation Resistance: 100 MΩ Min
4. Dielectric Withstanding Voltage: 100V AC

Material:

1. Housing: PA9T
2. Contact: C18140
3. Shell: SUS

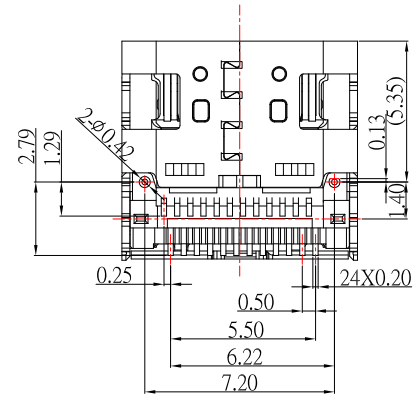
Finish:

1. Contact: Plated Gold in Mating Area ;
Gold Plated on Solder Balls ;
Nickel under plated overall
2. Shell: Nickel under Plated surface layer



USB TYPE-C PIN ASSIGNMENTS

| PIN NUMBER | SIGNAL NAME | PIN NUMBER | SIGNAL NAME |
|------------|-------------|------------|-------------|
| A1 | GND | B12 | GND |
| A2 | SSTXp1 | B11 | SSRXp1 |
| A3 | SSTXn1 | B10 | SSRXn1 |
| A4 | Vbus | B9 | Vbus |
| A5 | CC1 | B8 | SBU2 |
| A6 | Dp1 | B7 | Dn2 |
| A7 | Dn1 | B6 | Dp2 |
| A8 | SBU1 | B5 | CC2 |
| A9 | Vbus | B4 | Vbus |
| A10 | SSRXn2 | B3 | SSTXn2 |
| A11 | SSRXp2 | B2 | SSTXp2 |
| A12 | GND | B1 | GND |



CONTACT 建倚科技股份有限公司
CONTACT TECHNOLOGY CORP.

TOLERANCE UNLESS OTHERWISE STATED:
 Up to 5 ±0.2
 Above 5 ~ 15 ±0.3
 Above 15 ~ 30 ±0.4
 Above 30 ~ 50 ±0.5
 Angle ±0.3

3RD. ANGEL'S

UNITS MM

| | | | | |
|--------------|----------|-----------|----------|---|
| DRAWN BY: | DATE | MAT'L | TITLE | CONNECTOR |
| Jack Lu | 03/19/24 | | | |
| CHECKED BY: | DATE | FINISH | MODLE | USB 3.1 C TYPE 板上雙貼有柱 L8.17 H3.16mm 外殼有彈片 |
| Jacky Chen | 03/19/24 | | | |
| APPROVED BY: | DATE | SCALE | DWG NO. | SBC-240S26B31xHF-S332 |
| Tony Kao | 03/19/24 | 1 : 1 | PART NO. | SBC-240S26B31xHF-S332 |
| | | SHEET NO. | 1 of 1 | SIZE A4 |
| | | | | VER R |

| ITEM NO. | DESCRIPTION | DRAWN | DATE |
|----------|-------------|-------|------|
| | | | |